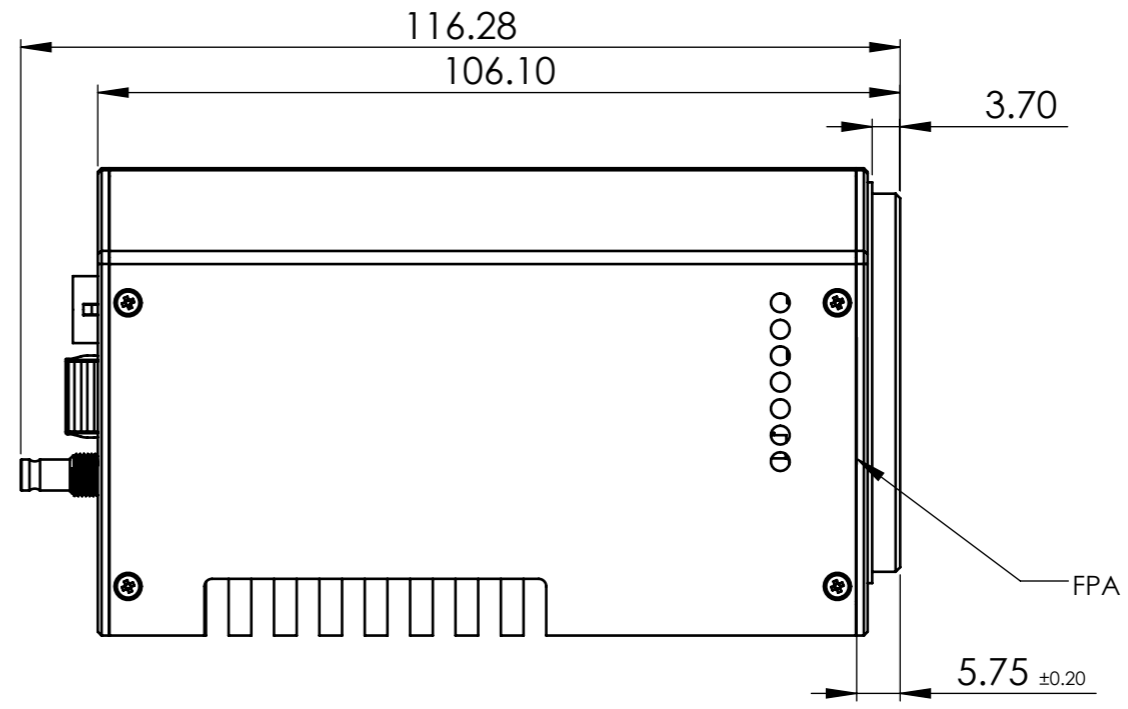
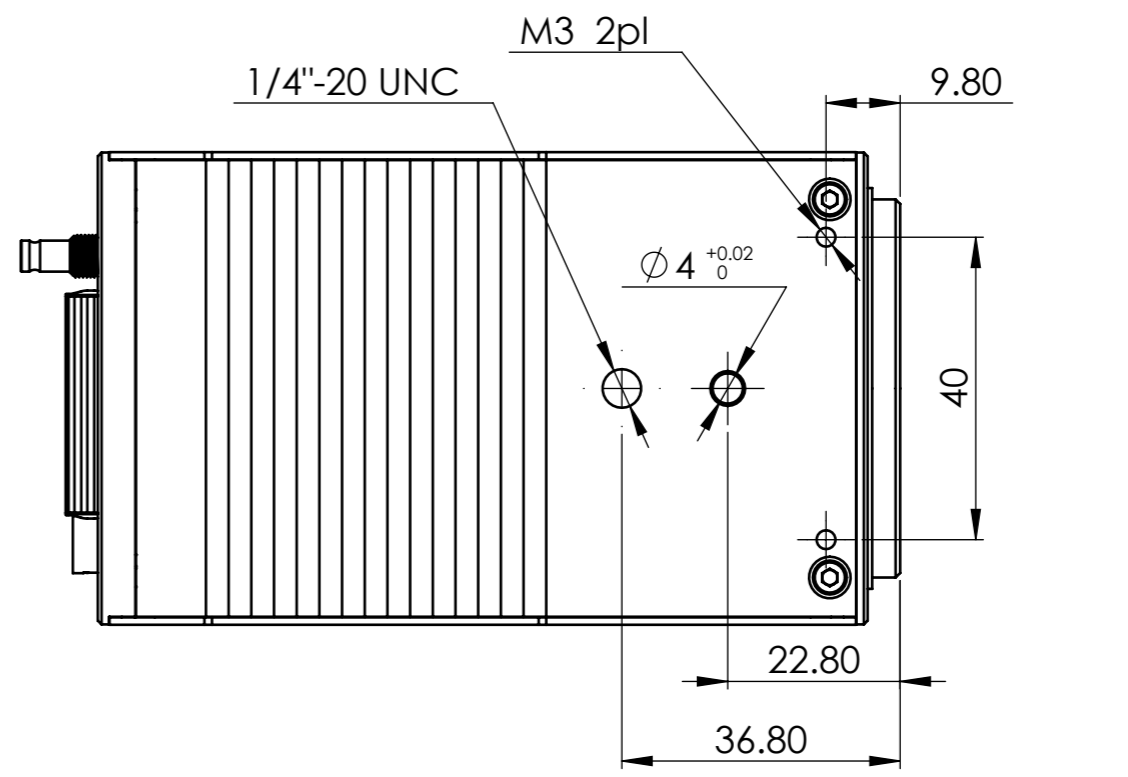
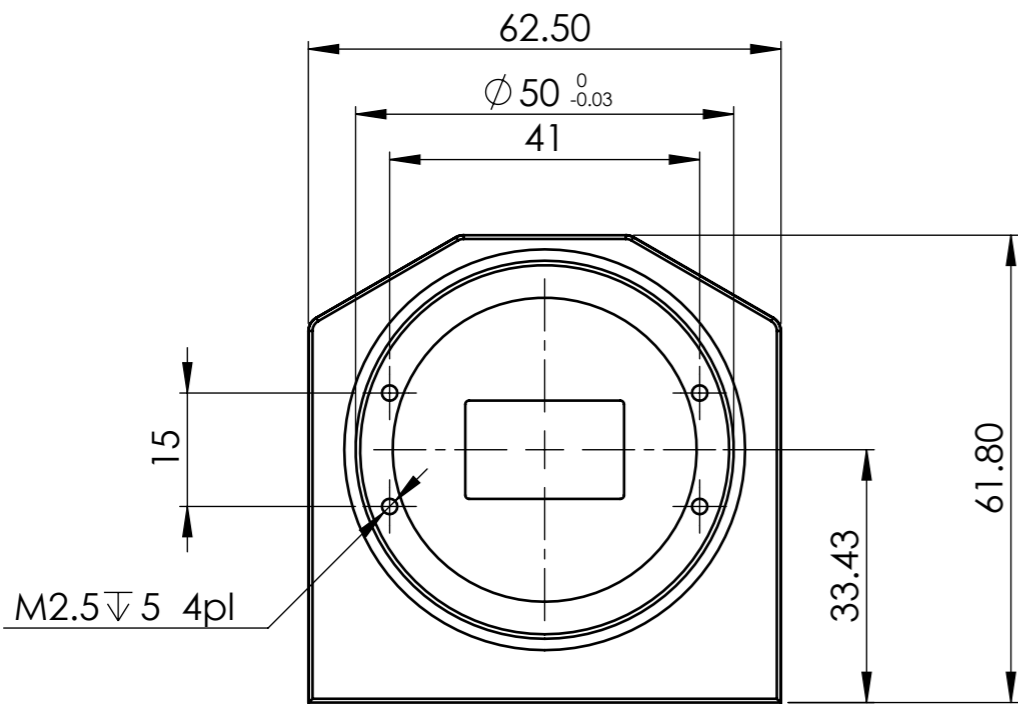


ZONE		REV.	DESCRIPTION	REVISIONS	DATE	APPROVED



International Distributor



Sky Blue Microsystems GmbH
 Geisenhausenerstr. 18
 81379 Munich, Germany
 +49 89 780 2970, info@skyblue.de
 www.skyblue.de

MATERIAL:	Weight	GENERAL TOL:	1:1	PART NAME: CAMERA 19 rev 01	
FINISH:		LENGH: ±0,1 HOLE CENTERS: ±0,1 HOLE DIA: ±0,1 ANGLES: ±0,5°		PROJECT:	
DIMENSIONS IN mm BEFORE COATING <input type="checkbox"/> AFTER COATING <input checked="" type="checkbox"/>			SCALE:	ASSY:	QTY. 1
KAYA instruments Ltd			3.2	DWG No	REV.
<small>THE INFORMATION CONTAINED IN THIS DRAWING IS THE SOLE PROPERTY OF KAYA instruments. ANY REPRODUCTION IN PART OR AS A WHOLE WITHOUT THE WRITTEN PERMISSION OF KAYA instruments IS PROHIBITED.</small>		DSG. M. Sister DRW. M. Sister CHK. M. Yampolsky APR. M. Yampolsky		01	
			SHEET 1/1	FILE JetCam MICD	