

## ◆ SCL-300T2

(Base / Medium / Full Configuration)



## Description

Syscom Korea, a leader in the market of pixel to pixel cabling solution, created Fiber Optics based Camera Link cable. Syscom Korea cabling solution will be a perfect choice for overcoming the problems of facility access, capital cost, distance, EMI, ESD and bandwidth. Camera Link is a high-speed camera/frame grabber interface designed for high performance vision applications. Standard Camera Links deliver signals to 10 meters or less, occurring inflexible situations in many applications which requires longer distance image transmission between the camera and the frame grabber.

The SCL-300T2 Camera Link Splitter interfaces one Camera Link camera to two frame grabbers using standard Camera Link cables. This arrangement enables the addition of a second frame grabber for functions such as camera setup, secondary/parallel processing, monitoring, and recording. One frame grabber acts as master and provides control and communications to the camera. The second frame grabber receives camera video data only.

The SCL-300T2 involves a function of repeater (RCL-300).

## Key Features

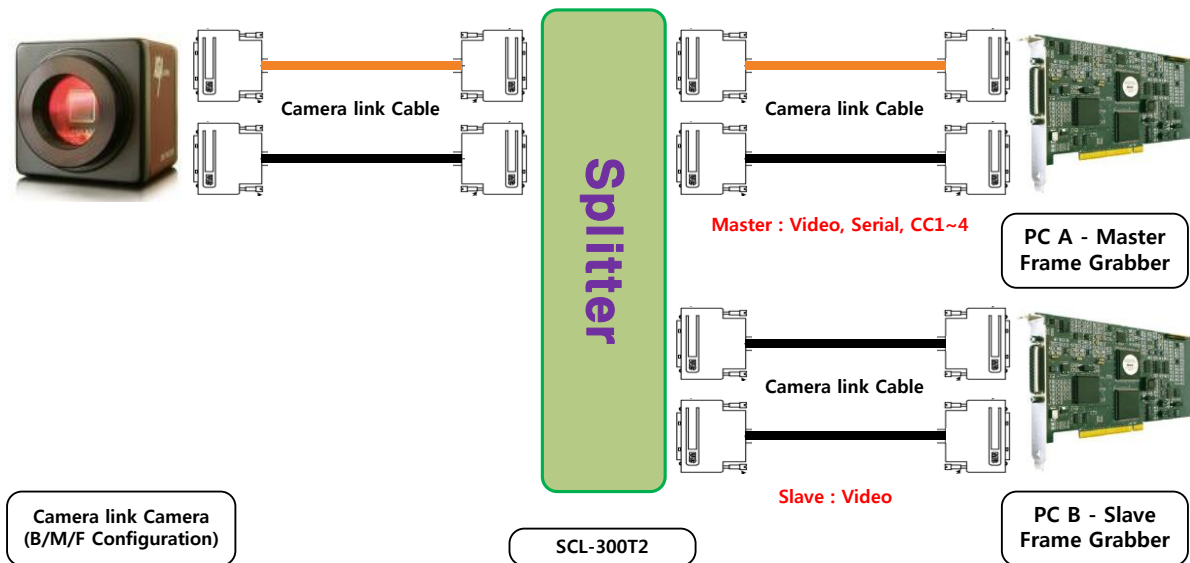
- ◆ All of Camera-Link Interface Compliance ( Area and Line Scan)
- ◆ Support Base, Medium and Full Configuration
- ◆ Support Pixel clock from 20 - 85MHz
- ◆ Zero loss and transparent transport
- ◆ Locking DC power connector
- ◆ Attaches to the compact MDR26 connect

## Applications

- ◆ Machine Vision Applications
- ◆ Product inspection - PCB, LCD, Wafer
- ◆ Bar code reading and sorting
- ◆ Medical Imaging
- ◆ Port/Harbor cargo container management
- ◆ Railroad measurement/inspection
- ◆ Cameras placed in harsh environment  
- Nuclear plant, Chemical plant, Factory
- ◆ Bridge inspection
- ◆ Military & Defense Applications
- ◆ Astronomy
- ◆ Computer microscopy
- ◆ Multi-media

International Distributors

## Typical Set Up Diagram



## Technical Specifications

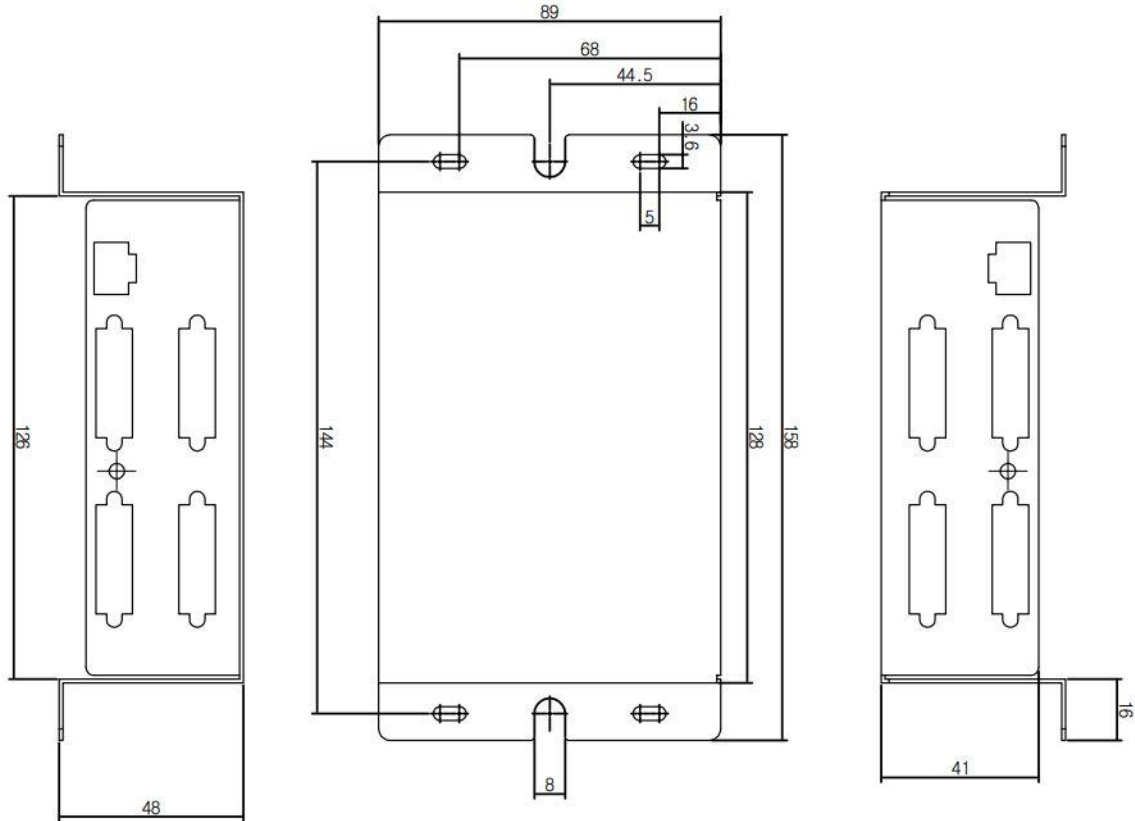
### - General Specification

Operating Temperature	0 ~ 50 [°C]
Input Voltage	DC 12 ~ 24 [V]
Typical Supply Current @ 12V DC	150 [mA]
Connector Type	Molex 53259-0329 Male, DC Jack
Weight (Approximate)	300 Gram

### - Camera link Interface

Supported Camera Configuration	Base / Medium / Full
Pixel Clock Range	20 ~ 85 [MHz]
Sync. Signals	LVAL, DVAL, FVAL
Camera Control - Master only	CC1 ~ CC4 ( Master Only )
Serial Communication	SerTFG, SerTC ( Master Only )
Connector Type	Camera Link ( MDR )

## Dimensions



International Distributors

**sky blue**  
microsystems

Sky Blue Microsystems GmbH  
Geisenhausenerstr. 18  
81379 Munich, Germany  
+49 89 780 2970, info@skyblue.de  
www.skyblue.de

**ZERIF**  
TECHNOLOGIES LTD.  
A SKY BLUE COMPANY, FOUNDED 1999

In Great Britain:  
**Zerif Technologies Ltd.**  
Winnington House, 2 Woodberry Grove  
Finchley, London N12 0DR  
+44 115 855 7883, info@zerif.co.uk  
www.zerif.co.uk